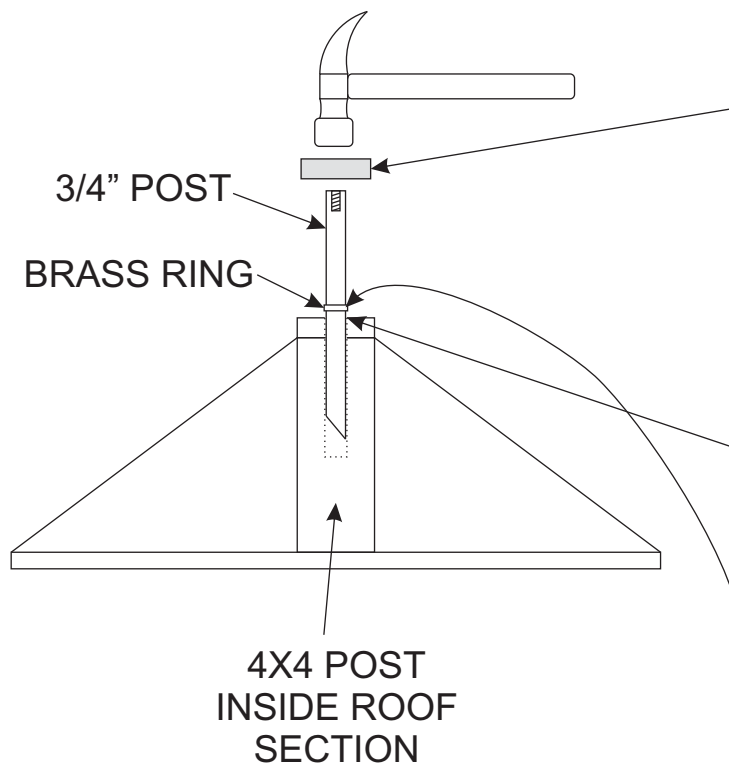


Orders - 1-800-635-6448
Production - 1-801-489-0614
Fax - 1-801-489-0606



P.O BOX 583
Springville, Utah 84663
www.NewConceptLouvers.com

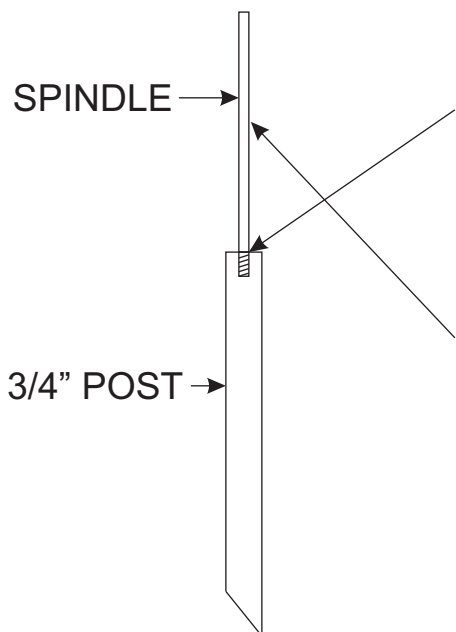
POST INSTALLATION INSTRUCTIONS



1
USING A BLOCK OF WOOD TO PREVENT DAMAGE TO THE TOP OF THE POST. GENTLY TAP 3/4" ROD DOWN WITH A HAMMER UNTIL ROD SEATS INTO 4X4 AND YOU CANT TURN POST BY HAND.

2
SILICONE POST AT TOP OF COPPER ROOF.

3
POSITION BRASS RING ON POST AND SLIDE DOWN TO DESIRED HEIGHT. TIGHTEN BRASS SCREW UNTIL SNUG. DO NOT OVER TIGHTEN.



4
USE LOCTITE ON THREADS OF SMALL SPINDLE BEFORE SCREWING INTO 3/4" ROD. THIS WILL PREVENT IT FROM BACKING OUT.

5
ADD SMALL AMOUNT OF GREASE TO SPINDLE TO HELP WEATHERVANE TURN FREELY.