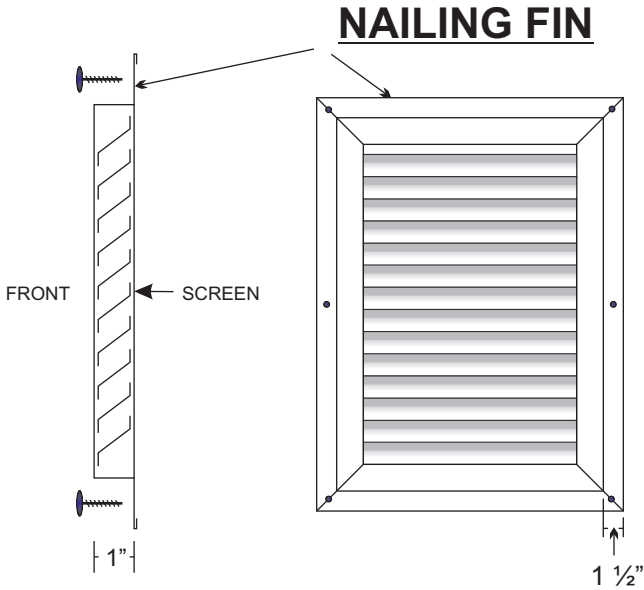


Orders - 1-800-635-6448
 Production - 1-801-489-0614
 Fax - 1-801-489-0606

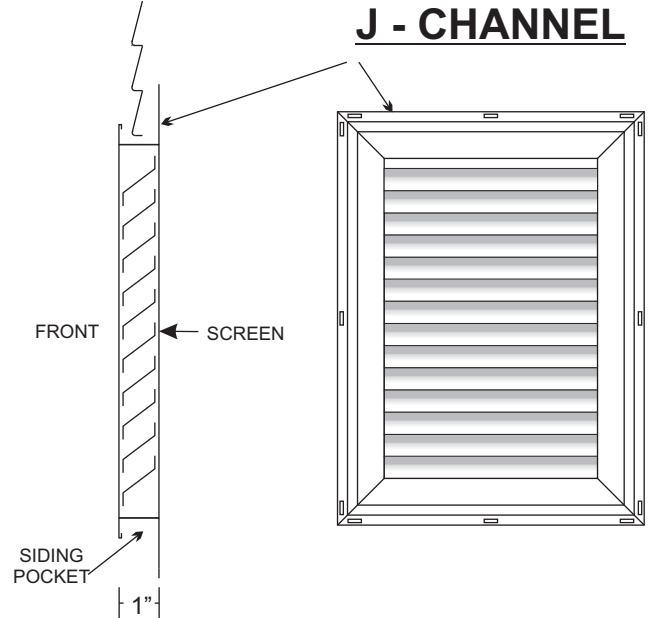


P.O BOX 583
 Springville, Utah 84663
 www.NewConceptLouvers.com



COMMON USES:

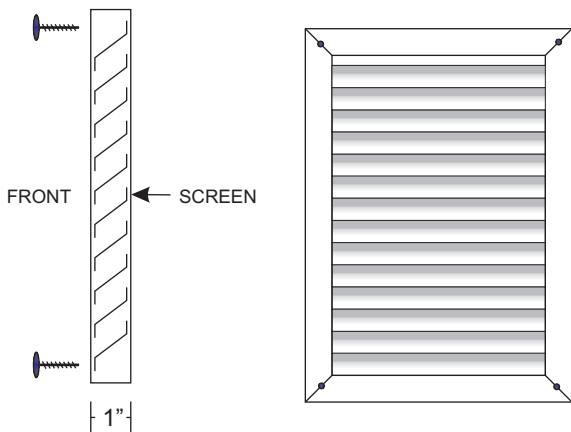
- STUCCO, BRICK, FIBER CEMENT, CEDAR SIDING, HARDBOARD
- NAIL TO SHEATHING THROUGH FIN
- PROJECTION FROM WALL 1" STANDARD



COMMON USES:

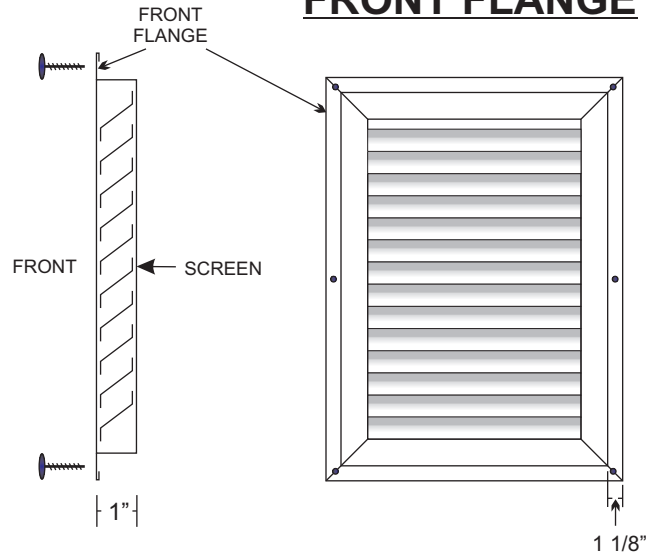
- VINYL, STEEL & ALUMINUM SIDING
- J-CHANNEL 3/4" INSIDE STANDARD
- NAIL TO WALL THROUGH J-CHANNEL FIN
- PROJECTION FROM WALL 1" STANDARD

**SURFACE MOUNT
 (BOX FRAME)**



- BOX FRAME SURFACE MOUNT OR EXISTING OPENING
- 2" STAINLESS PAINTED SCREWS PROVIDED
- NEED TO SEAL WITH SEALANT ON OUTSIDE EDGE
- PROJECTION FROM WALL 1" STANDARD

FRONT FLANGE



- USED ON FLAT SURFACES
- VENT DROPS INTO OPENING. STOPS ON FRONT FLANGE FLUSH WITH WALL OR SIDING
- RECOMMEND SEALANT ON BACK OF FLANGE BEFORE INSTALLATION
- FLUSH WITH WALL