
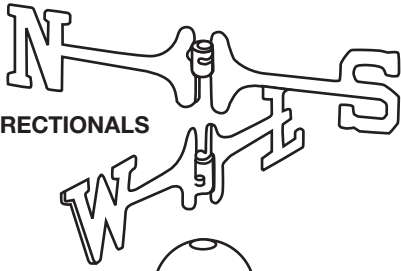


Assembly Instructions Full Size Weathervane (With Retaining Hook)

COPPER SPACER BALL (SMALL) 

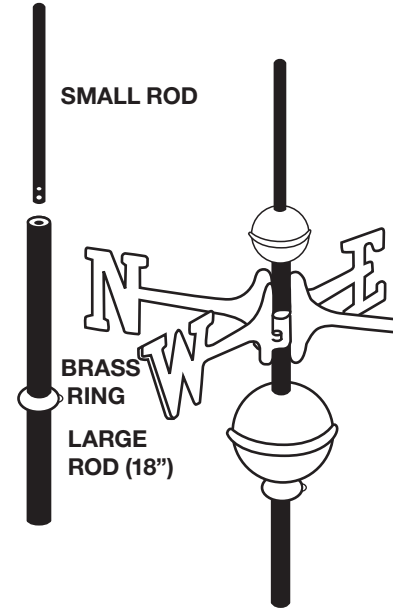


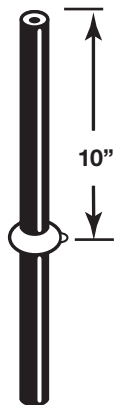

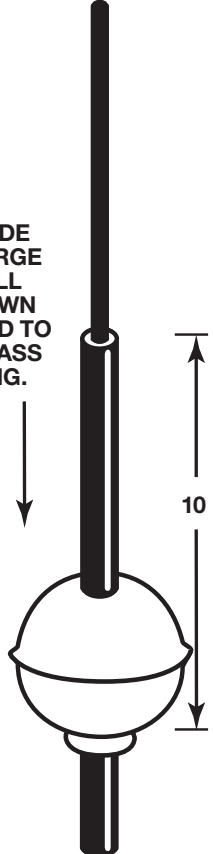
BRASS DIRECTIONALS

COPPER BALL (LARGE) 

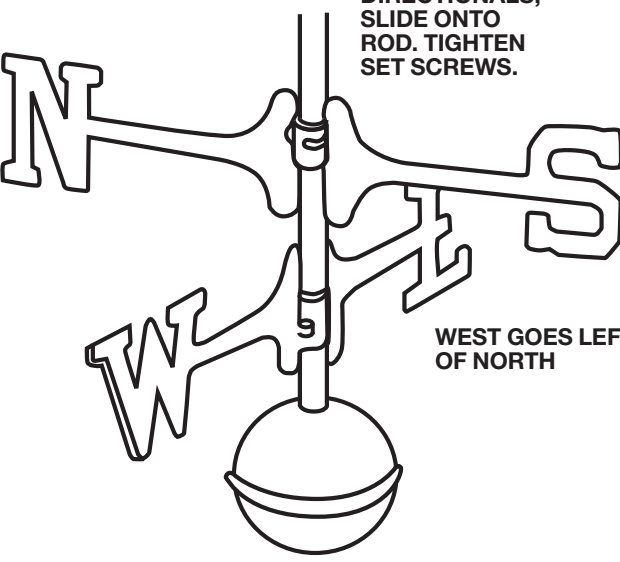
YOUR PACKAGE INCLUDES THE FOLLOWING PIECES:

- 1 Figure
- 1 Small Copper Ball
- 1 Large Copper Ball
- 1 Set of Brass Directionals
- 1 Brass Ring
- 1 Small Stainless Steel Threaded Rod
- 1 Large Brass Rod (18")
- 1 Retaining Hook



<p>1</p>  <p>POSITION BRASS RING OVER LARGE ROD. TIGHTEN SET SCREW</p>	<p>2</p>  <p>THREAD SMALL ROD INTO LARGE ROD USING THREAD LOCKER PROVIDED. TIGHTEN FIRMLY WITH PLIERS.</p>	<p>3</p>  <p>SLIDE LARGE BALL DOWN ROD TO BRASS RING.</p>
--	---	--

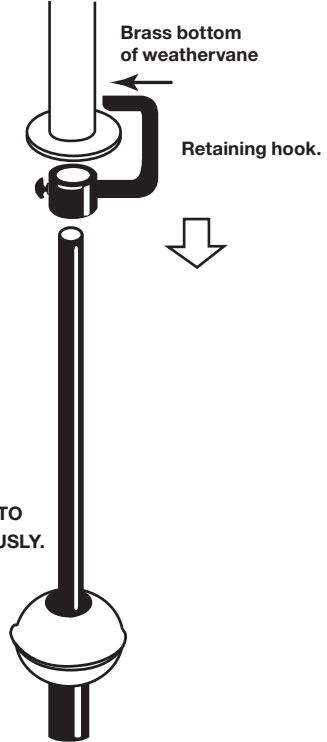
4



INTERLOCK DIRECTIONALS, SLIDE ONTO ROD. TIGHTEN SET SCREWS.

WEST GOES LEFT OF NORTH

5



APPLY COMMON GREASE TO ROD SO VANE WILL ROTATE FREELY

SLIDE WEATHERVANE AND RETAINING HOOK ONTO SMALL ROD SIMULTANEOUSLY. TIGHTEN SET SCREW.

Brass bottom of weathervane

Retaining hook.